

Required Tools: (Not included)

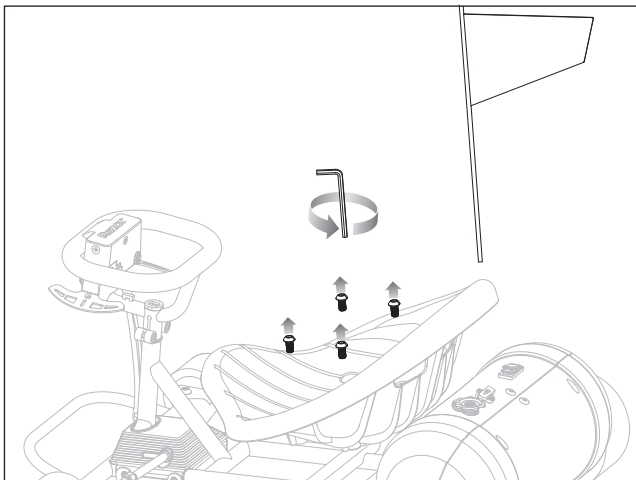
- 5 mm Allen wrench
- Phillips screwdriver
- Pliers

⚠ WARNING

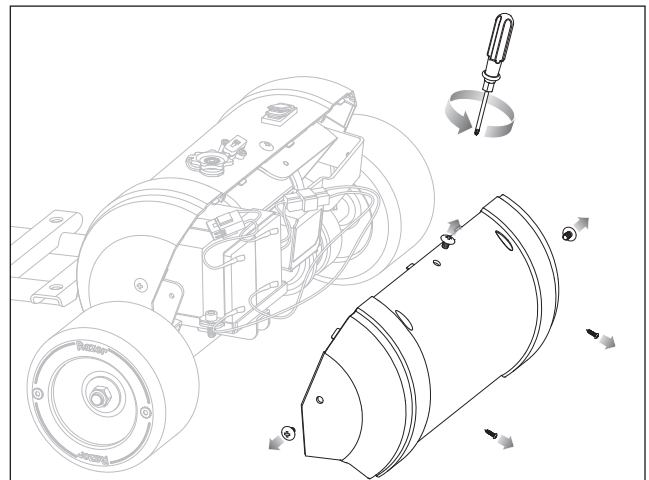
⚠ CAUTION: To avoid potential shock or other injury, turn power switch **OFF** and disconnect charger before conducting any assembly or maintenance procedures. Failure to follow these steps in the correct order may cause irreparable damage.

Step 1

Remove the flag from the seat. Using a 5 mm Allen wrench, remove the four (4) screws on the seat.

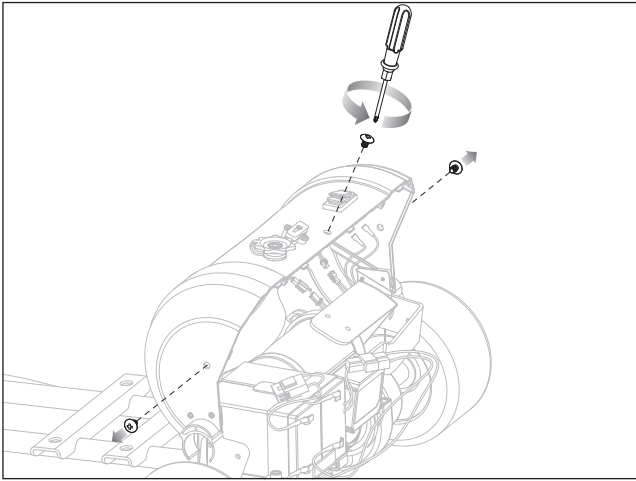
**Step 2**

Using a Phillips screwdriver, remove the five (5) screws on the rear battery cover.



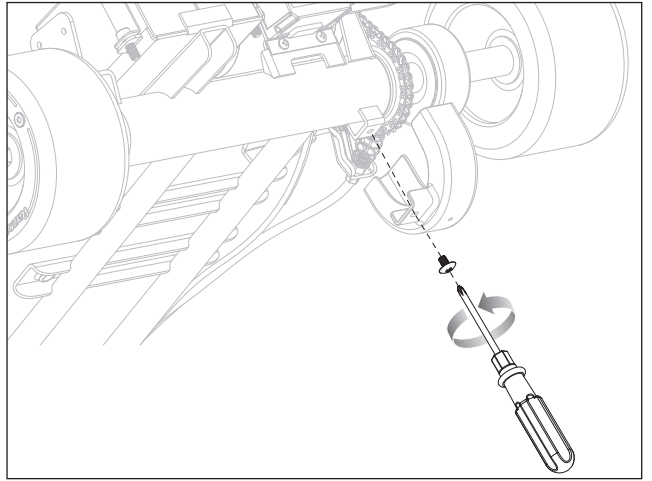
Step 3

Using a Phillips screwdriver, remove the three (3) screws on the front battery cover. Disconnect the plugs and remove the front cover.



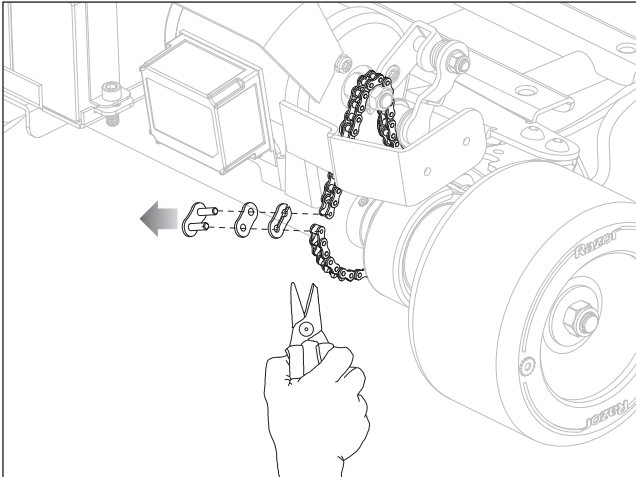
Step 4

Using a Phillips screwdriver, remove the screw on the chain cover. Remove the chain cover.



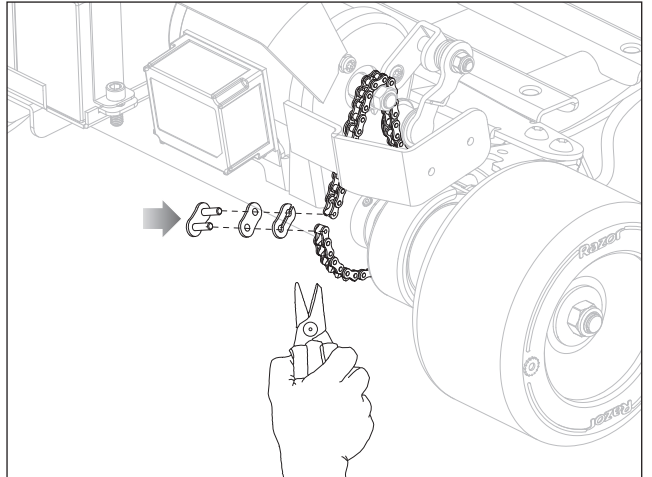
Step 5

Using pliers, remove the Quick link and remove the chain.



Step 6

Attach the new chain. Using pliers, lock the Quick link.



Step 7

To complete the assembly, please reverse steps 1 through 4.

ATTENTION: Charge battery 12 hours before using.

